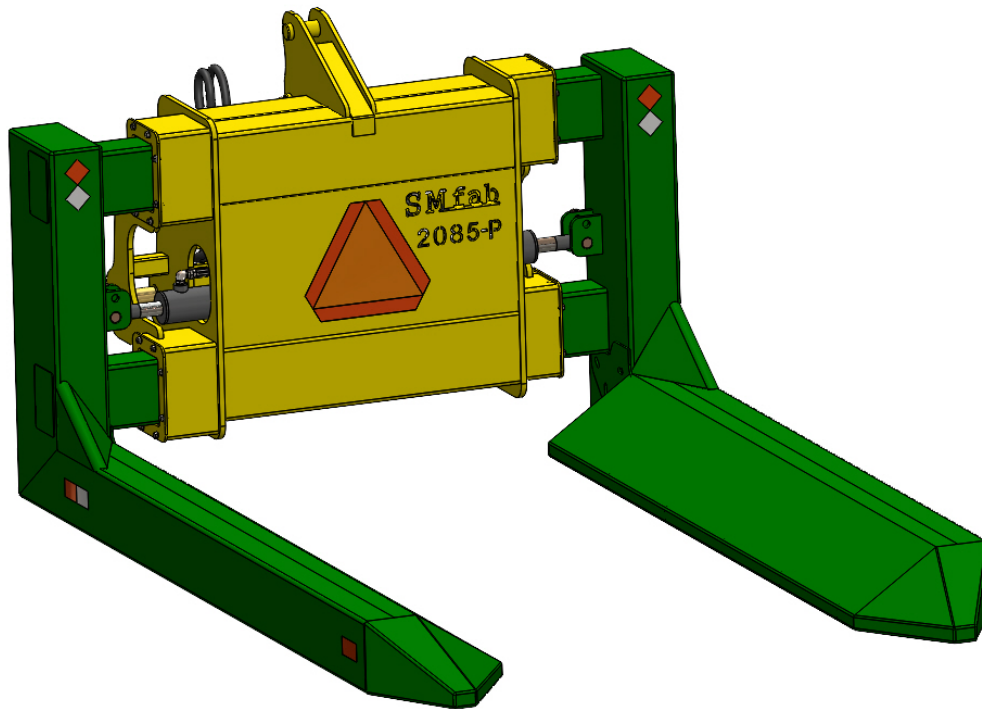


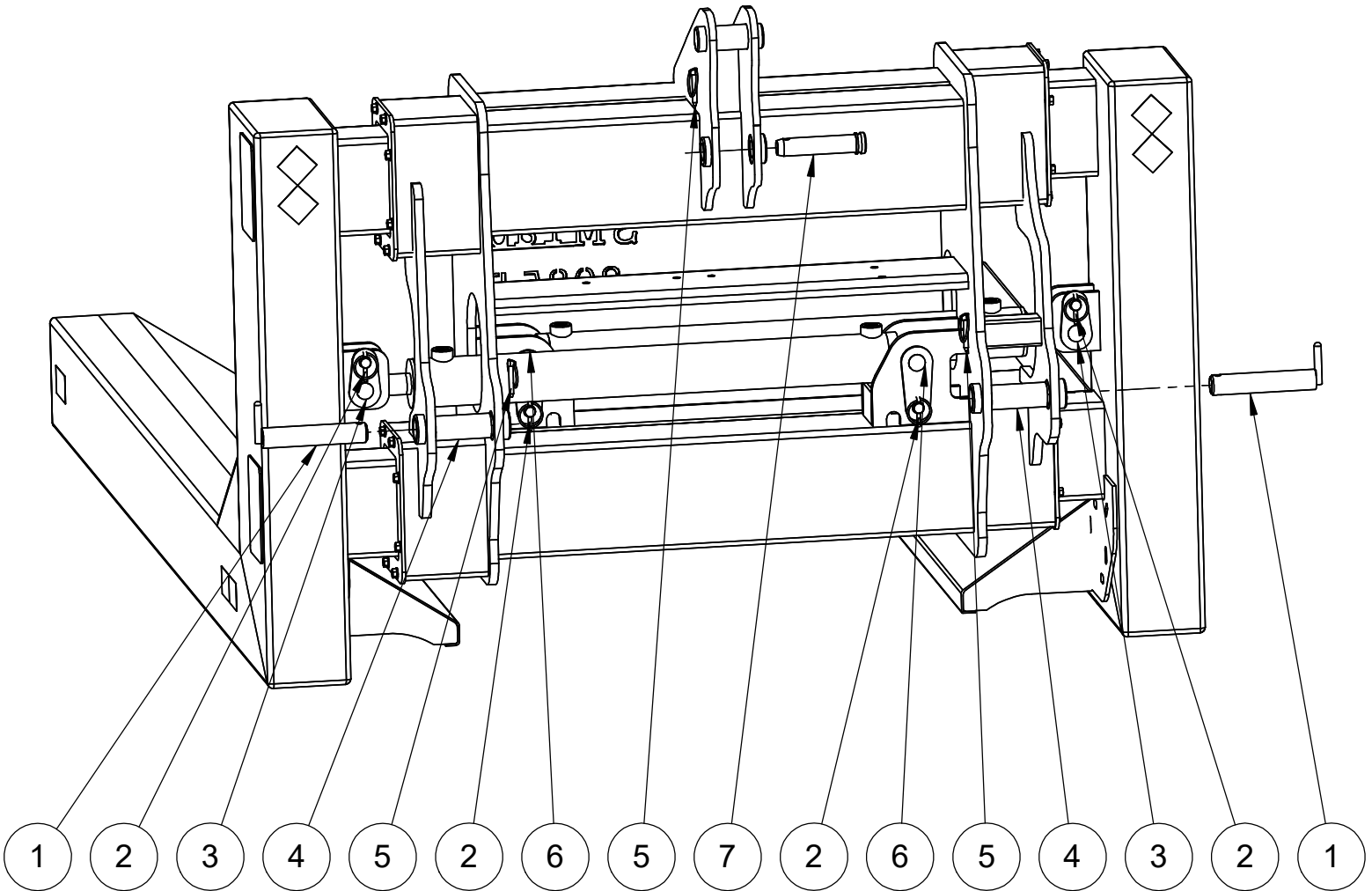
OWNER AND PARTS MANUAL

MODEL: 2085-P

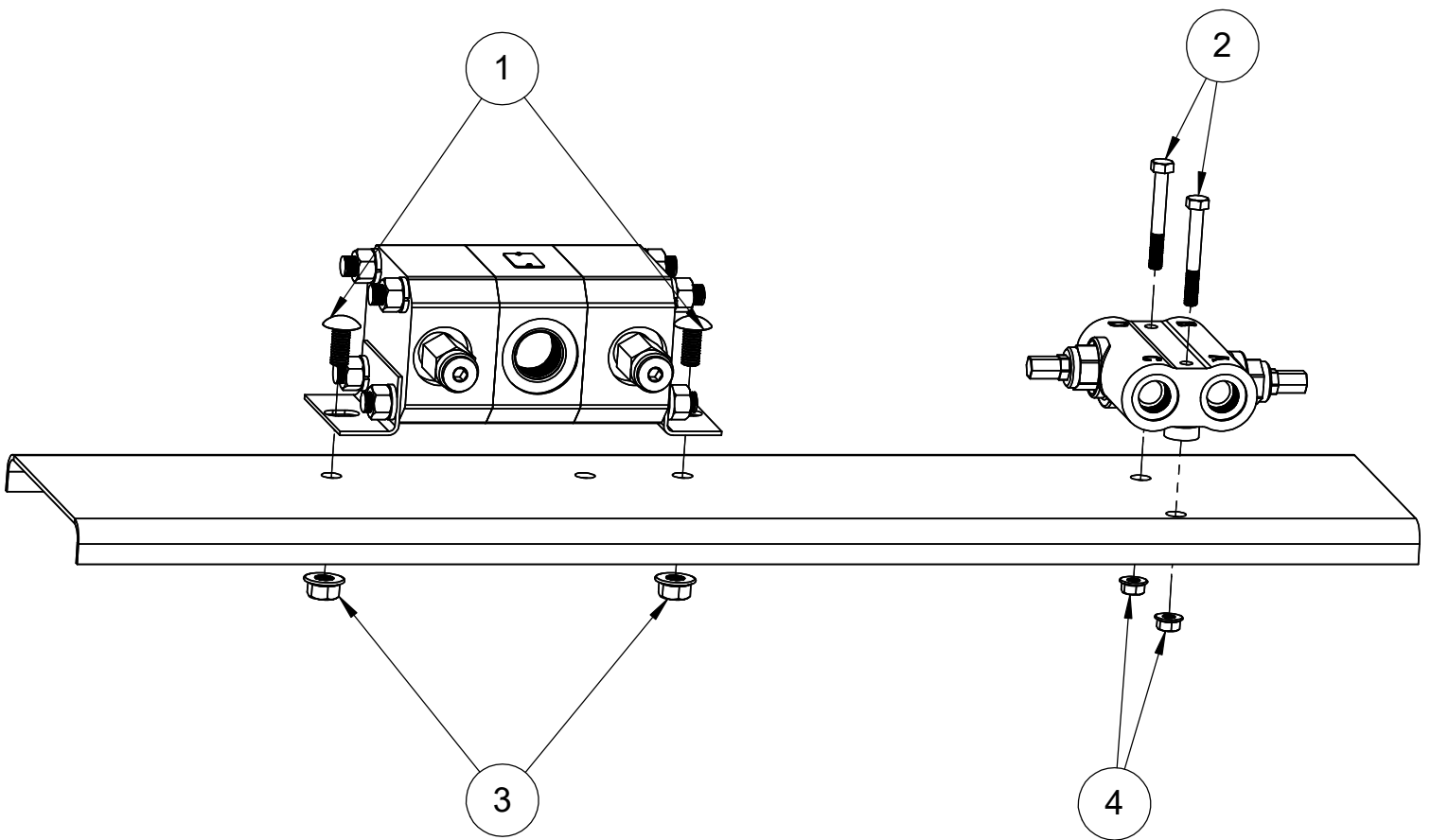


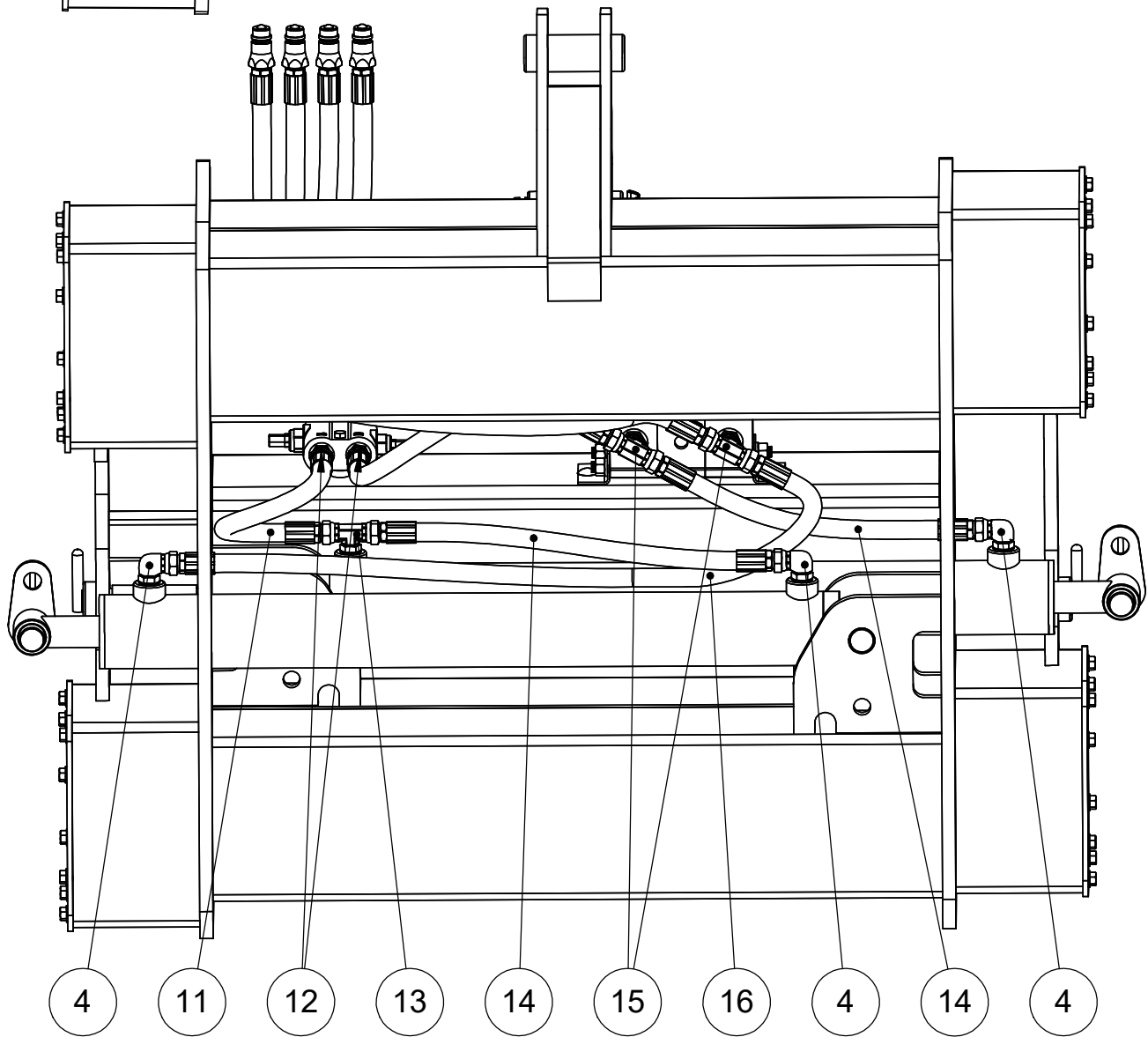
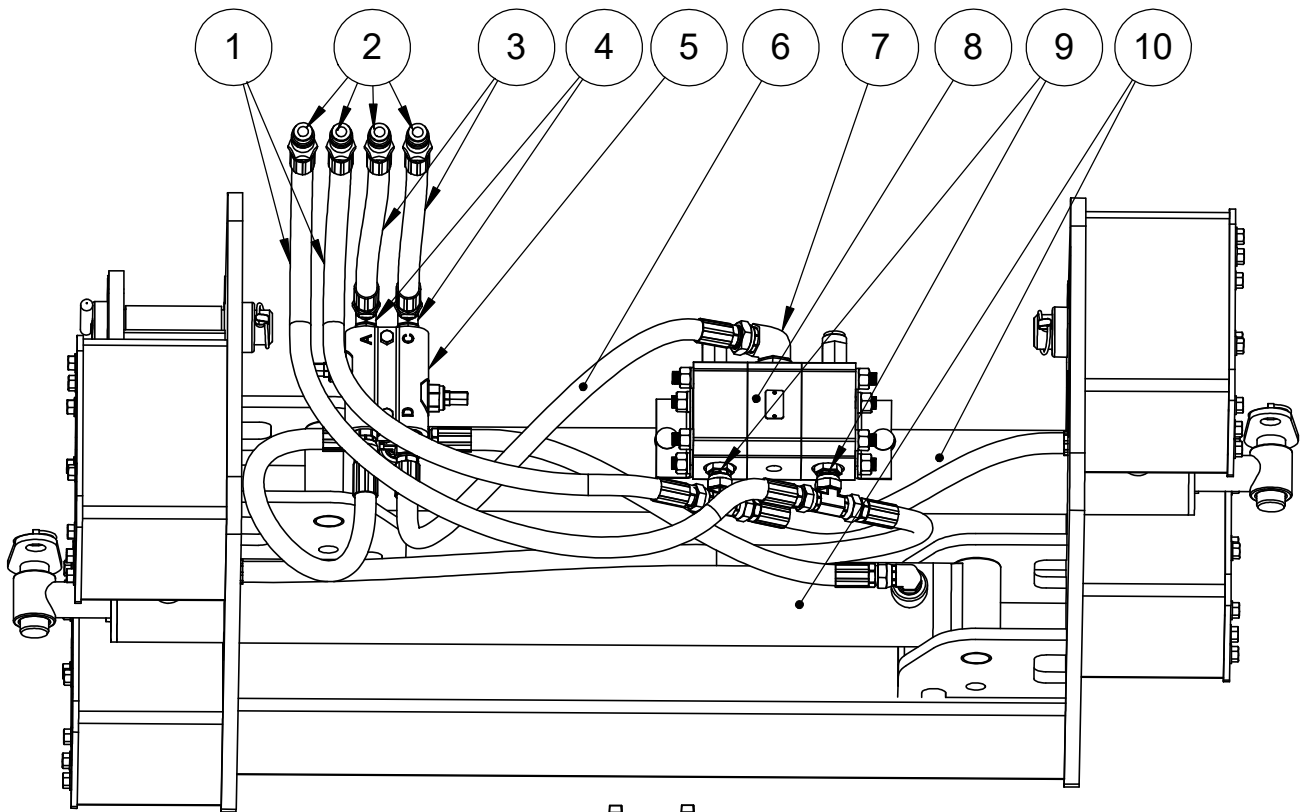
**HEAVY DUTY
ROUND COTTON BALE HANDLER**

ITEM NO.	DESCRIPTION	PART NO.	QTY.
1	1-7/16" X 7" HITCH PIN	08-HP17167	2
2	1/4" LYNCH PIN	08-P794	4
3	1-3/16" X 3-1/2" CYLINDER PIN	CP1316312	2
4	4" CAT 3 TO 4 HITCH PIN BUSHING	08-B841	2
5	7/16" LYNCH PIN	08-3027	3
6	1-3/16" X 5-1/2" CYLINDER PIN	CP1316512	2
7	1-1/4" X 4-3/8" CAT 3 HITCH PIN	08-P7711	1



ITEM NO.	DESCRIPTION	PART NO.	QTY.
1	1/2" X 1" CARRIAGE BOLT	11-CR5121	2
2	5/16" X 2-1/2" BOLT	11-G5C516212	2
3	1/2" FLANGED HEAD WHIZ NUT	11-WZN-12	2
4	5/16" FLANGED HEAD WHIZ NUT	11-WZN-516	2





ITEM NO.	DESCRIPTION	PART NO.	QTY.
1	1/2" X 2W X 72" HYDRAULIC HOSE ASSEMBLY	10-82C72	2
2	BALL TIP COUPLER W/ 1/2" - 14 FNPT THREADS	10-8010-4MB	4
3	1/2" X 2W X 60" HYDRAULIC HOSE ASSEMBLY	10-82C60	2
4	8MB-8FPX90 FITTING	10-6901-08-08-NWO	5
5	DOUBLE RELIEF VALVE	127120-O	1
6	24" HYDRAULIC HOSE ASSEMBLY 1/2" MPT & 3/4" MPT	10-82C24X34	1
7	16MB-12FPX90 FITTING	10-6901-16-12-NWO	1
8	HYDRAULIC FLOW DIVIDER	FD4F662	1
9	10MB-8FPX FITTING	10-6900-10-08-O	2
10	3-1/2" X 28" WELDED HYDRAULIC CYLINDER	HY3528	2
11	1/2" X 2W X 20" HYDRAULIC HOSE ASSEMBLY	10-82C20	1
12	8MB-8FPX FITTING	10-6900-08-08-O	2
13	8FPX-8FPX-8MB FITTING	10-6911-08-08-08	1
14	1/2" X 2W X 24" HYDRAULIC HOSE ASSEMBLY	10-82C24	2
15	8FPX-8FPX-8MP FITTING	10-1601-08-08-08	2
16	1/2" X 2W X 36" HYDRAULIC HOSE ASSEMBLY	10-82C36	1

ITEM NO.	DESCRIPTION	PART NO.	QTY.
1	LEFT FINGER	SML85	1
2	3" X 3-1/2" WEAR PADS	WP3312	16
3	FLANGED HEAD WHIZ NUT	00258-2600401	32
4	3/8"-16 X 1-1/4" BUTTON SOCKET CAP BOLT	BSNC2618400	32
5	RIGHT FINGER	SMR85	
6	6" X 7" WEAR PADS	WP67	8
7	6" X 6" WEAR PADS	WP66	8
8	WEAR PAD KEEPER	108WPK	4
9	3/8" X 3/4" FLANGED HEAD BOLT	3712MWW	32

